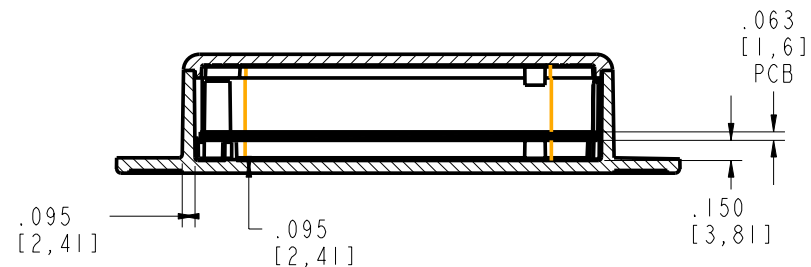
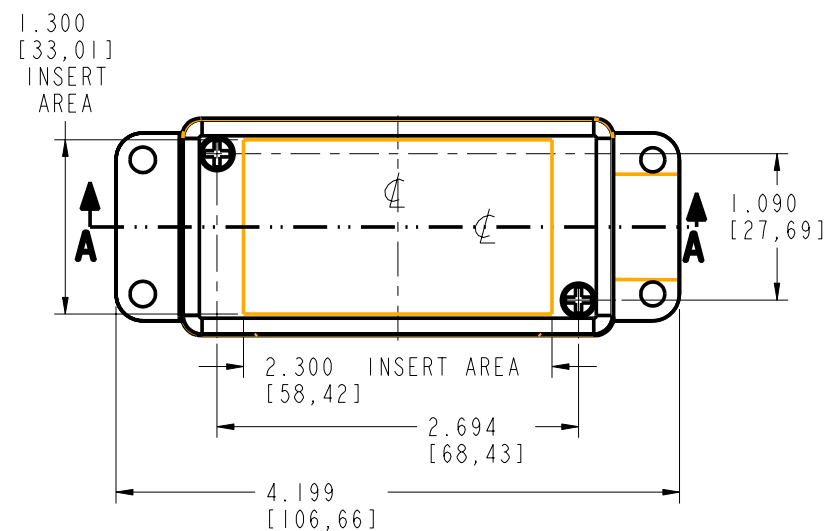
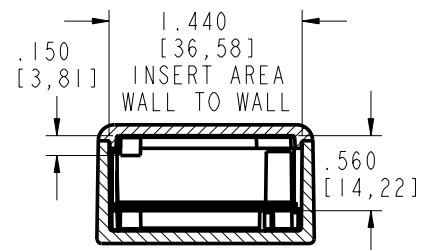
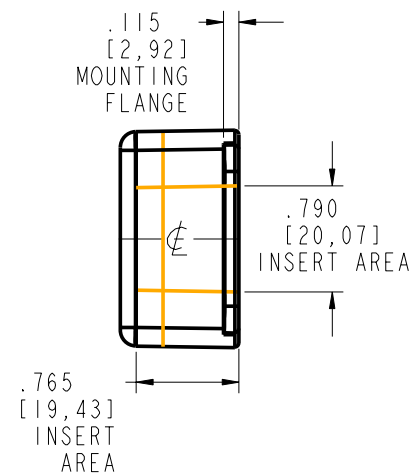


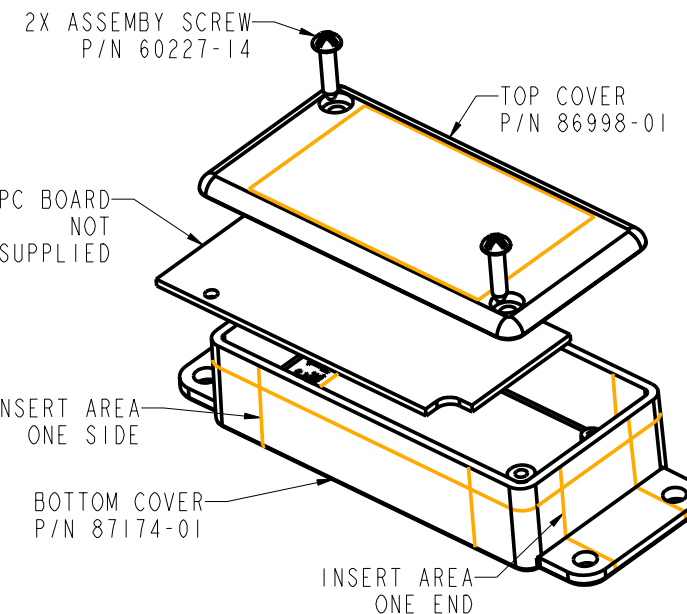
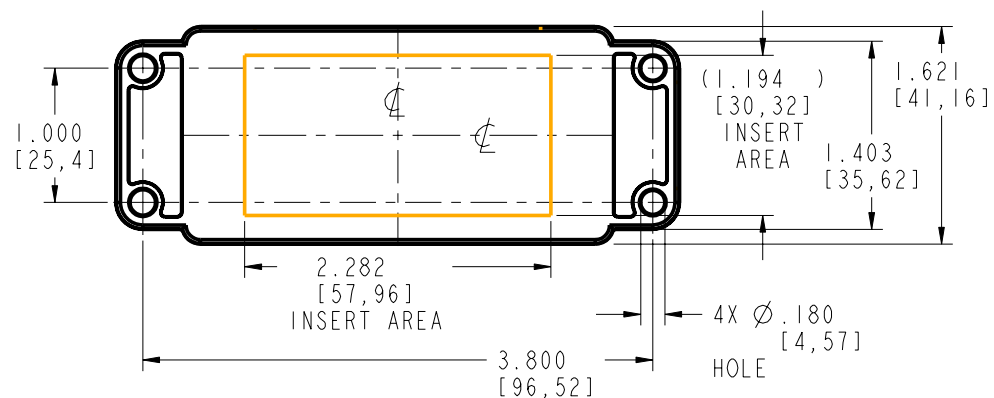
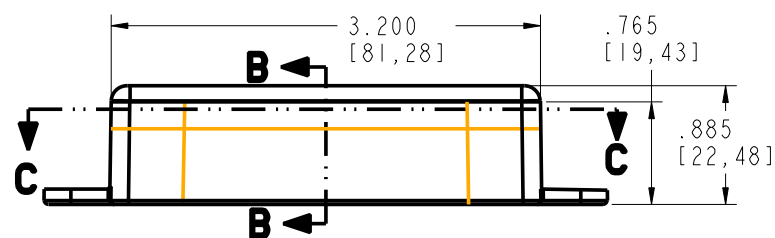
SECTION C-C



SECTION A-A

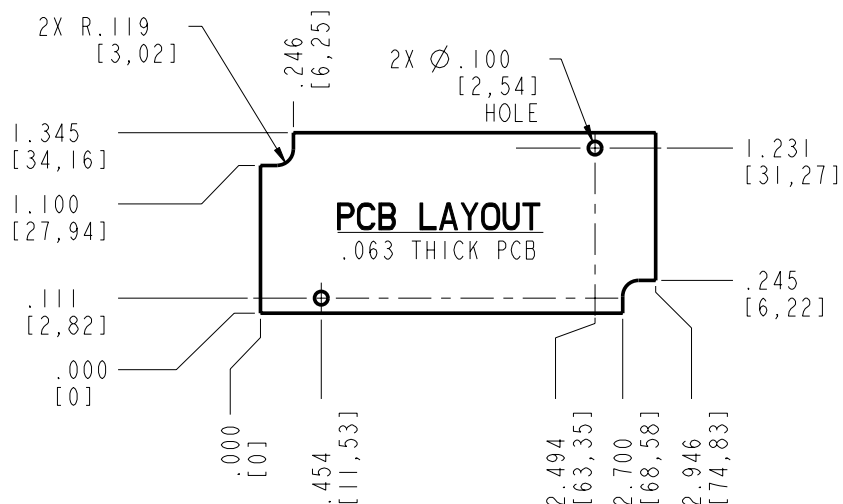


SECTION B-B



NOTES:

1. USE #2 TYPE B THREAD FORMING SCREW TO MOUNT PCB.



PACINTEC[®]
1-610-361-4231

FXT-1632

VISIT **PACINTEC**[®]
ON THE WORLD WIDE WEB
www.pactecenclosures.com

COLOR / MATERIAL CODE		
COLOR	94HB	94VO
BLACK	000	028
P.C.BONE	039	060

INSERT AREAS ARE SECTIONS IN OUT TOOLS THAT CAN BE REMOVED AND REPLACED WITH CUSTOMER SPECIFIC DETAILS

DRAWING NUMBER	REV
87175	A