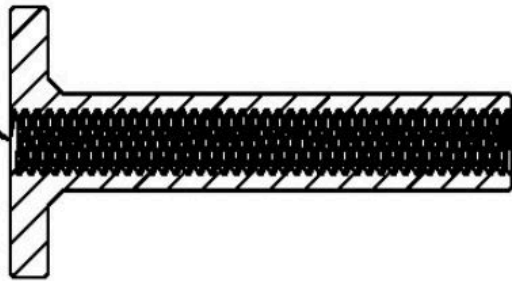
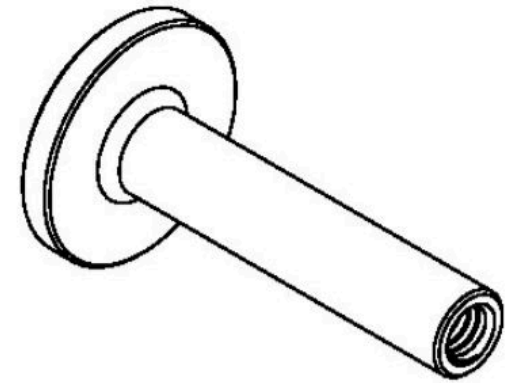


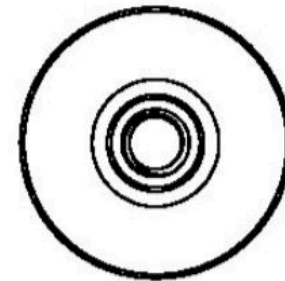
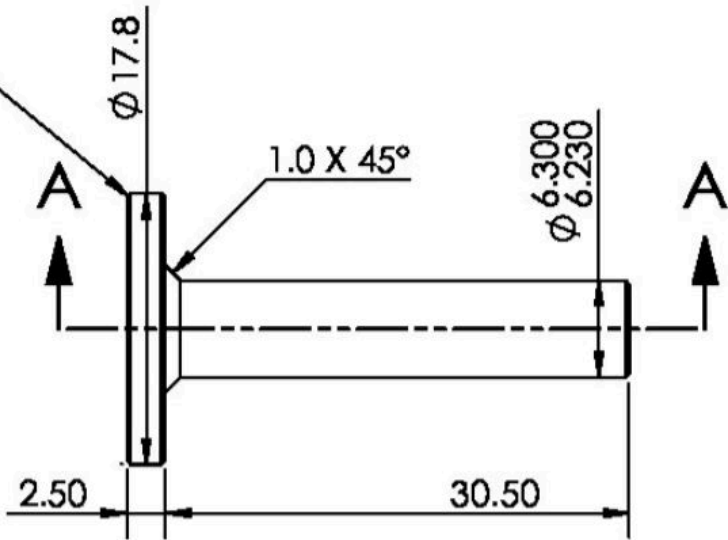
8-32 TAP  $\nabla$  THRU



SECTION A-A



0.25mm TYP



DIMENSIONS PER 101-PBK-MK1.SLDPRT OR .STEP

PRINTED ON 12/12/2022

PRIMARY DIMENSION - MILLIMETERS  
SECONDARY DIMENSION - [INCHES]  
TOLERANCES UNLESS NOTED:  
X.X ± 0.2 [0.008]  
X.XX ± 0.1 [0.004]  
X.XXX ± .025 [0.001]  
ALL ANGLES ± [1.2] DEG  
REMOVE ALL BURRS AND SHARP EDGES  
3.2 / 125  
UNLESS OTHERWISE NOTED  
PROPRIETARY AND CONFIDENTIAL

DESCRIPTION	
MATERIAL	AL 6061
SHEET SCALE	2:1 AND AS NOTED
FINISH	
DWG NO & REV	101-PBK-Mk1

Repeat Robotics, LLC